


CE

I	LAVASTOVIGLIE INDUSTRIALI
F	LAVE-VAISSELLE INDUSTRIELS
GB	INDUSTRIAL DISHWASHER
D	INDUSTRIEGESCHIRRSPÜLER
ES	LAVAVAJILLAS INDUSTRIALES



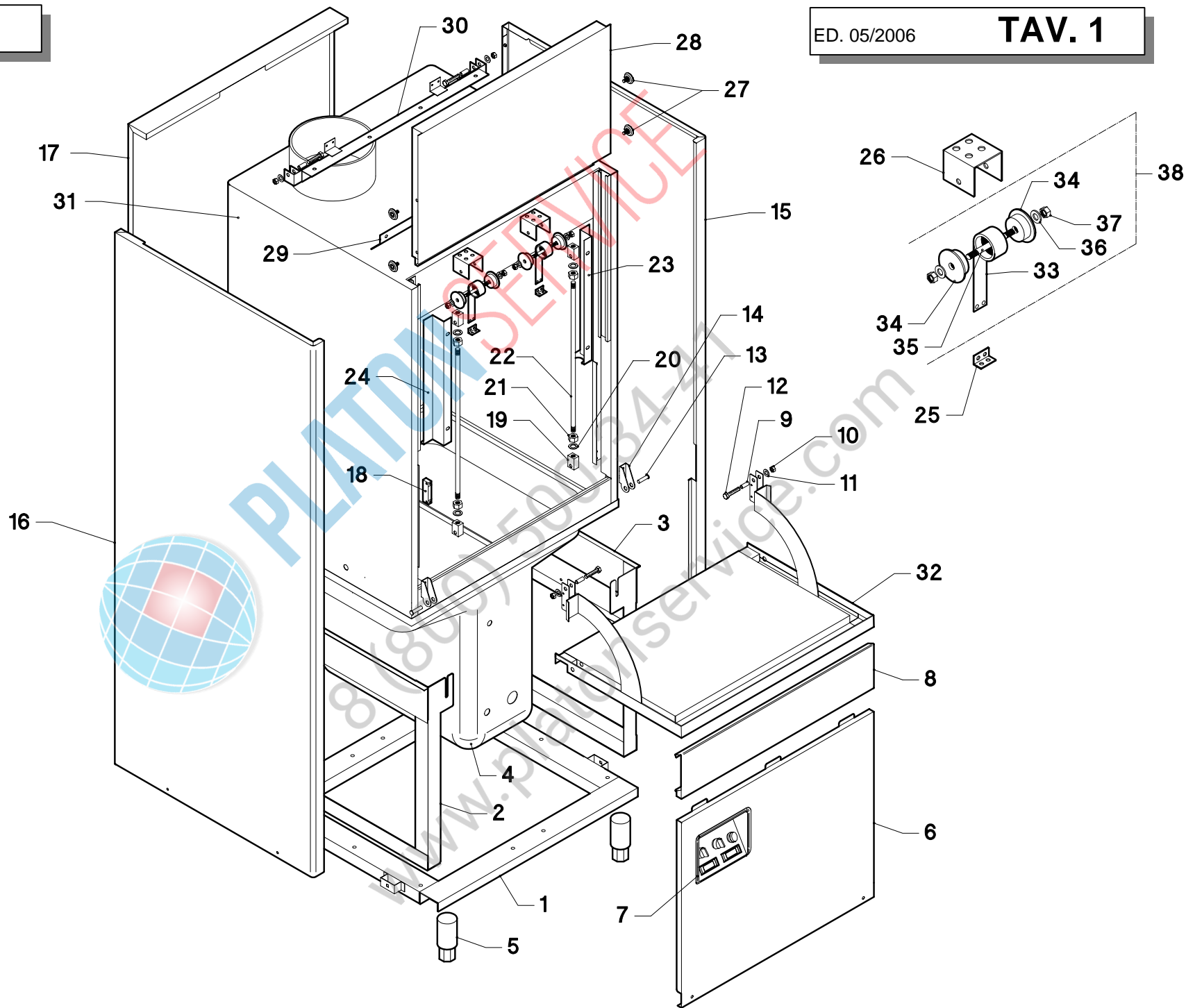
**LP67E**

 <b>SILANOS</b> <sup>®</sup> LAVASTOVIGLIE INDUSTRIALI	MANUALE PARTI DI RICAMBIO	
	CATALOGUES PIÉCES DETACHEES	
	SPARE PARTS MANUAL	
	ERSATZTEILEKATALOG	
REV. 06-2007	Cod. 206705	MANUAL PARTES DE REPUESTOS

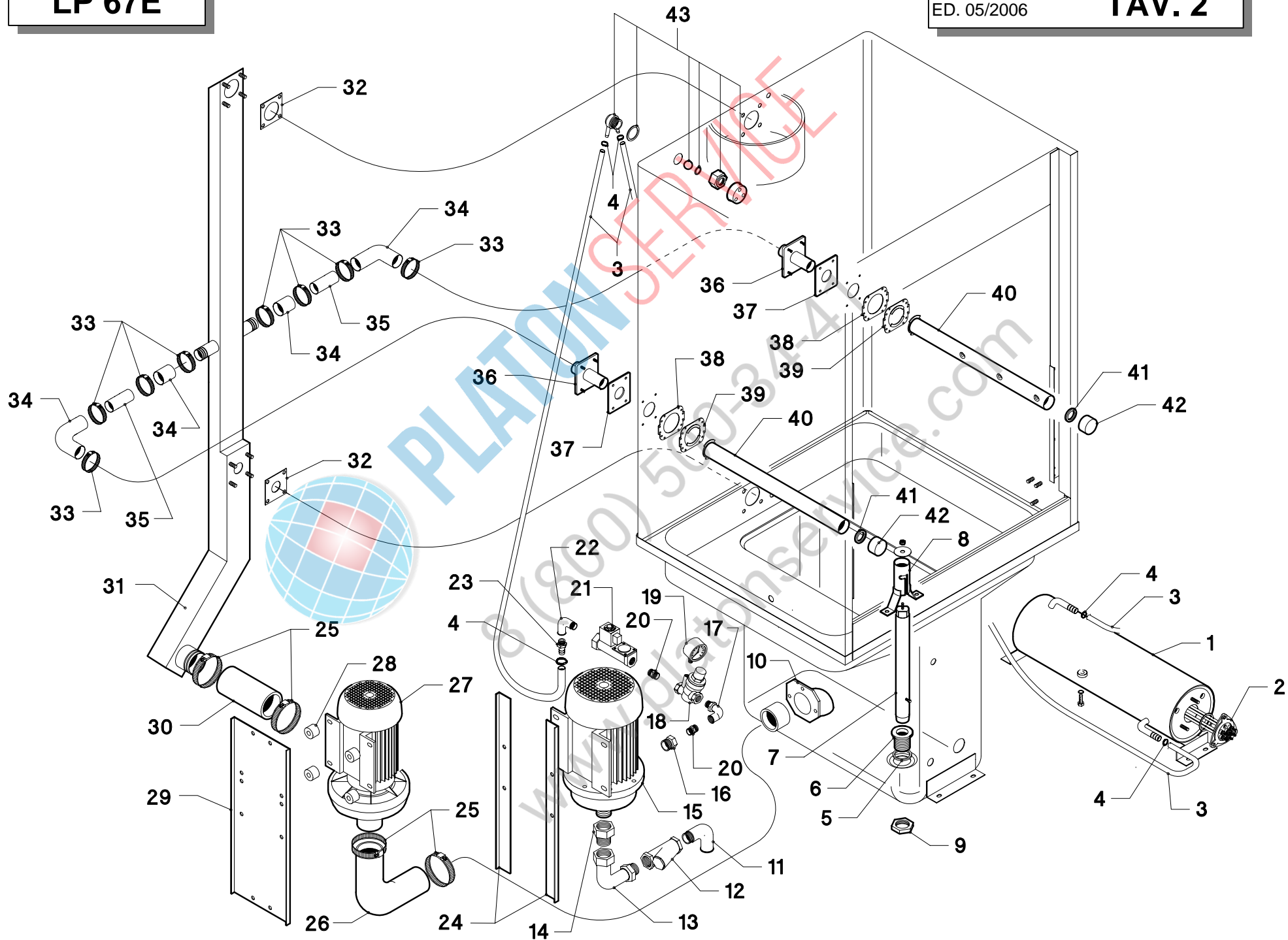
LP 67E

ED. 05/2006

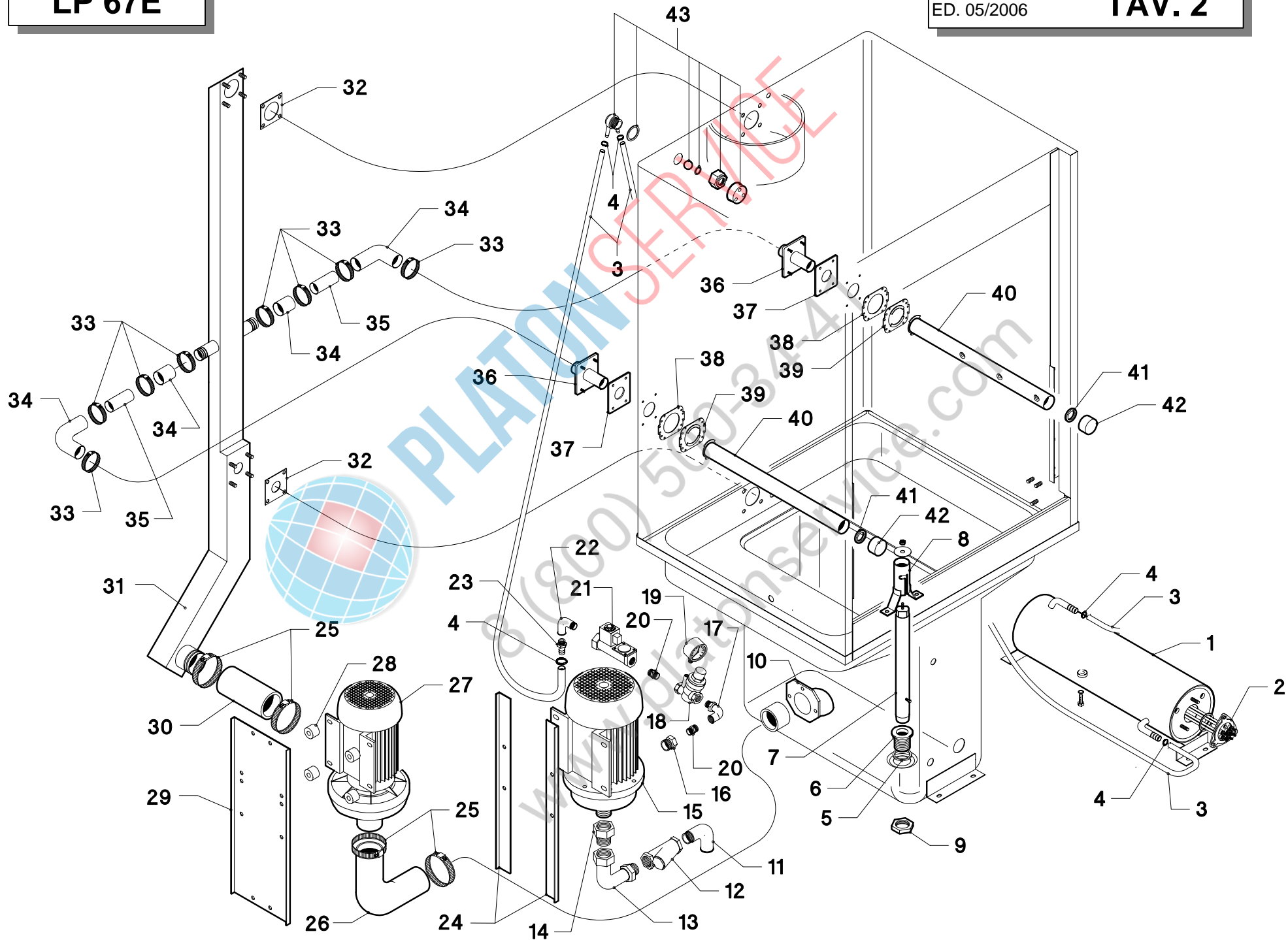
TAV. 1



Pos.	COD.	Q.tà	DESCRIZIONE	DENOMINATION	DESCRIPTION	BEZEICHNUNG	DESCRIPCIÓN
1	TR3630	1	BASAMENTO	SOCLE	BASE	UNTERSTRUKTUR	BASE
2	TR3650	1	SUPPORTO VASCA SX	SUPPORT CUVE SX	TANK SUPPORT SX	TANKHALTERUNG SX	SOPORTE PILETA SX
3	TR3649	1	SUPPORTO VASCA DX	SUPPORT CUVE DX	TANK SUPPORT DX	TANKHALTERUNG DX	SOPORTE PILETA DX
4	TR3600	1	VASCA	BASSIN	TANK	WANNE	BATEA
5	TR0295	4	PIEDINO REGOLABILE	PETIT PIED RÉGABLE	RUBBER LEG	EINSTELLBARESOCKEL	PIÉ REGULABLE
6	TR3637	1	PANNELLO COMANDI	TABLEAU COMMANDE	CONTROL PANEL	SCHALTТАFEL	PANEL DE COMANDO
7	TR3709	1	TARGA + RETROTARGA	PLAQUETTE	PLATE	SCHILD	PLACA
8	TR3636	1	PANNELLO FRONTALE SUPERIORE	PANNEAU FRONTAL SUPÉRIEUR	HIGHER FRONTAL PANEL	FRONTALER VORGESETZTER	PANEL FRONTAL SUPERIOR
9	TR0930	2	TUBETTO PASSANTE	TUYAU	PIPE	ROHR	TUBITO PASANTE
10	902019	2	DADO M8 AUTOBLOCCANTE	ECROU AUTO-BLOQUANT	SELF-LOCKING NUT	SELBSTSICHERNDE MUTTER	TUERCA AUTOBLOQUEANTE
11	906040	2	RONDELLA PIANA Ø8	RONDELLE	WASHER	UNTERLEGSCHIEBE	ARANDELA
12	907835	2	VITE T.E. M8x40	VIS	SCREW	SCHRAUBE	TORNILLO
13	TR2446	2	PERNO PORTA	TOURILLON DE LA PORTE	DOOR PIN	TÜRSCHARNIERESTIFT	PERNO PUERTA
14	TR3632	2	CERNIERA	PATTE	DOOR SUPPORT	SCHARNIER	BISAGRA
15	TR3638	1	PANNELLO LATERALE DX	PANNEAU DROITE	RIGHT PANEL	RECHTE VERKLEIDUNG	PANEL DERECHO LATERAL
16	TR3629	1	PANNELLO LATERALE SX	PANNEAU GAUCHE	LEFT PANEL	LINKE VERKLEIDUNG	PANEL IZQUIERDO LATERAL
17	TR3639	1	PANNELLO POSTERIORE	PANNEAU POSTERIEUR	BACK PANEL	HINTERE VERKLEIDUNG	PANEL POSTERIOR
18	TR0220	1	CUSTODIA CON MAGNETE	PROTECTION MAGNETO	COVER MAGNET	MAGNETSCHUTZ	ESTUCHE CON IMÁN
19	TR0931	4	BLOCCHETTO TIRANTE PORTA	BLOC TIRANT DE LA PORTE	DOOR STAY BAR BLOCK	BLOCK TÜRSTANGE	BLOQUE VARILLA DE LA PUERTA
20	905941	4	RONDELLA GROWER Ø10	RONDELLE	WASHER	UNTERLEGSCHIEBE	ARANDELA GROWER
21	902022	4	DADO M10	ECROU	NUT	MUTTER	TUERCA
22	TR0929	2	TIRANTE PORTA	TIRANT DE LA PORTE	DOOR STAY BAR	TÜRSTANGE	VARILLA DE LA PUERTA
23	TR3640	1	PARASPRUZZI DX	GARDE-JETS DROITE	RIGHT SPRAY-GUARD	RECHTE SPRITZSCHUTZ	SALPICADERO DERECHO
24	TR3648	1	PARASPRUZZI SX	GARDE-JETS GAUCHE	LEFT SPRAY-GUARD	LINKE SPRITZSCHUTZ	SALPICADERO IZQUIERDO
25	TR0615	2	AGGANCIO MOLLA	CROCHET RESSORT	SPRING HOOKING	KUPPLUNGFEDER	ENGANCHE RESORTE
26	TR2008	2	SQUADR. FISSAGGIO MOLLA	EQUERRE POUR RESSORT	SPRING SUPPORT	FEDER TRÄGER	ANGULAR FIJADORESORTE
27	908704	4	CUSCINETTO CON PERNO	ROULEMENT	BEARING	LAGER	COJINETE
28	TR3643	1	PORTA SUPERIORE	PORTE SUPERIEUR	UPPER DOOR	OBERER TÜR	PUERTA SUPERIOR
29	TR3653	1	TEGOLINO PARASPRUZZI	GARDE-JETS	SPRAY-GUARD	SPRITZSCHUTZ	SALPICADERO
30	TR3377	1	TRAVERSA SUPPORTO MOLLE	SUPPORT RESSORT	SPRINGS SUPPORT	FRÜHLINGE UNTERSTÜTZUNG	SOPORTE RESORTE
31	TR3631	1	CAPOTE COMPLETA	CAPOTE	HOOD	GEHAUSE	CAPOTE
32	TR3642	1	PORTA INFERIORE	PORTE INFERIEUR	LOWER DOOR	UNTERER TÜR	PUERTA INFERIOR
33	TR1858	2	MOLLA	RESSORT	SPRING	FEDER	RESORTE
34	TR0999	4	SUPP. SCORRIMENTO MOLLA	SUPPORT POUR RESSORT	SPRING SUPPORT	FEDER TRÄGER	SOP. DESLIZAMIENTO RESORTE
35	956054	2	PERNO AGGANCIO MOLLA	PIVOT RESSORT	SPRING PIN	ZÄPFEN FEDER	PERNO RESORTE
36	906050	4	RONDELLA PIANA	RONDELLE	WASHER	UNTERLEGSCHIEBE	ARANDELA
37	902019	4	DADO M8 AUTOBLOCCANTE	ECROU AUTO-BLOQUANT	SELF-LOCKING NUT	SELBSTSICHERNDE MUTTER	TUERCA AUTOBLOQUEANTE
38	TR1864	2	SUPP. CON MOLLA PORTA COMPL.	SUPP. AVEC RESSORT PORTE COMPL.	SUPP. WITH DOOR SPRING COMPL.	TRÄGER MIT FEDER TÜR VOLLSTÄNDIG	SOP. CON RESORTE PUERTA COMP.



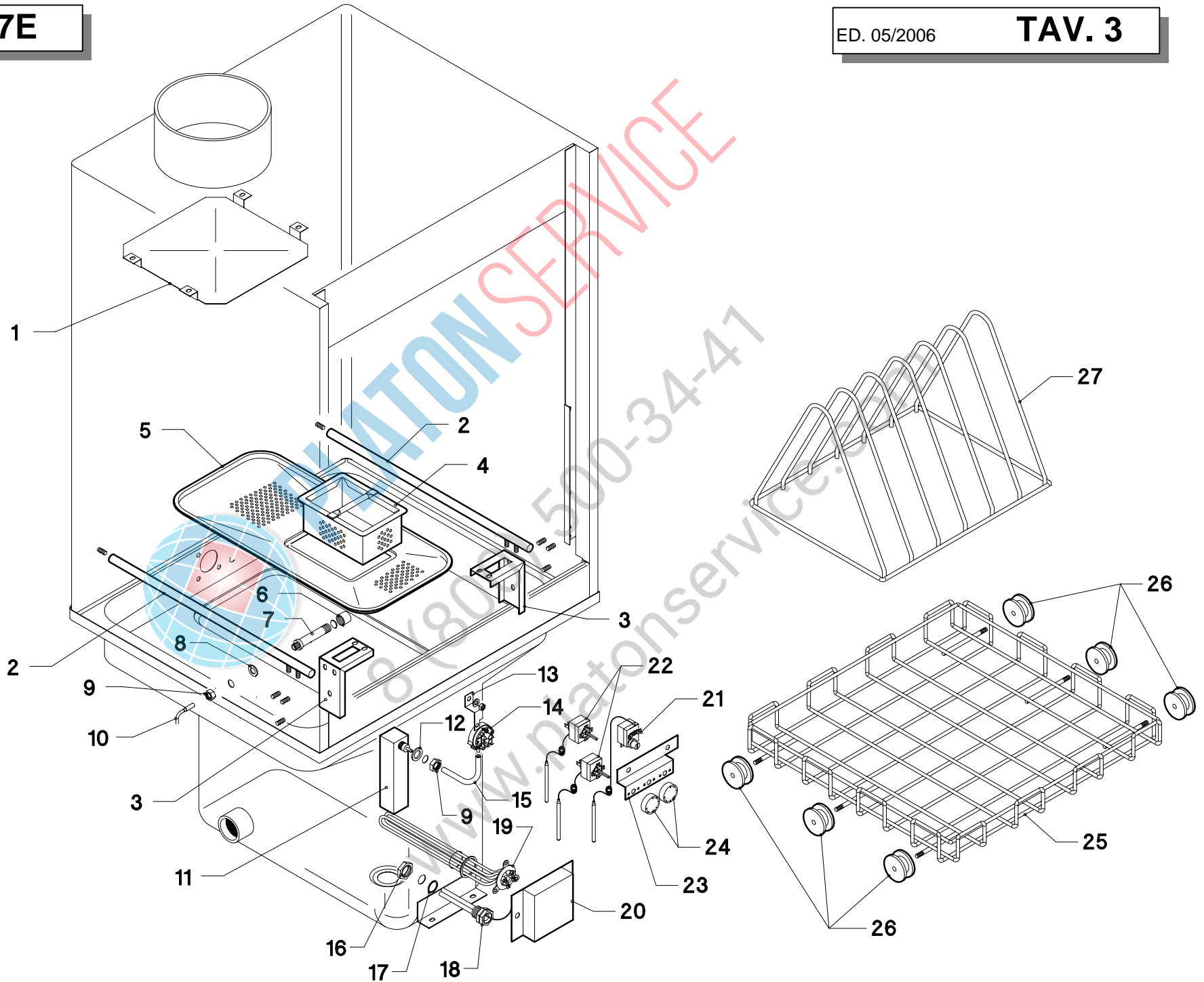
Pos.	COD.	Q.tà	DESCRIZIONE	DENOMINATION	DESCRIPTION	BEZEICHNUNG	DESCRIPCIÓN
1	TR1090	1	BOILER	CHAUFFE EAU	BOILER	HEISSWASSERSPEICHER	BOILER
2	TR0341	1	RESISTENZA 9KW	RESISTANCE	HEATING ELEMENT	HEIZKÖRPER	RESISTENCIA
3	907350	3	TUBO GOMMA 12x22	TUYAU EN CAOUTCHOUC	RUBBER HOSE	GUMMISCHLAUCH	TUBO GOMA
4	902450	5	FASCETTA Ø 12÷24	COLLIER	CLAMP	SHELLE	ABRAZADERA
5	904380	1	O-RING	O-RING	O-RING	O-RING	O-RING
6	905450	1	RACCORDO SCARICO	RACCORD DÉCHARGÉ	PIPE FITTING FOR OUTLET	ABLAUFANSCHLUSS	EMPALME DESAGOTE
7	TR0939	1	TROPPO PIENO	NIVEAU	OVER FLOW	VEBERLAUF	DAMISIADO LLENO
8	TR0933	1	GUIDA TROPPOPIENO	COULISSE NIVEAU	OVER FLOW GUIDE	UBERLAUFROHR KORB	GUIA DEMASIADOLLENO
9	902080	1	GHIERA 1" ¼	VIROLE	LOCK NUT	NUT MUTTER	ABRAZADERA
10	TR0977	1	RACCORDO ASPIRAZIONE	RACCORD D'ASPIRATION	INTAKE PIPE FITTING	ANSAUGANSCHLUSSE	EMPALME DE ASPIRACIÓN
11	TR2422	1	GOMITO 1" GAS	RACCORD	PIPE FITTING	ANSCHLUSSE	EMPALME CODO
12	TR0121	1	FILTRO 1"	FILTRE	FILTER	FILTER	FILTRO
13	TR2330	1	BOCCHETTONE 1" GAS	GOULOTTE	PIPE UNION	STUTZEN	RAMPA DE DESAGÜE RECTO
14	TR2361	1	RIDUZIONE 1" - 1/4"	REDUCTION	REDUCTION	VERMINDERUNG	TUBO CINC
15	902360	1	POMPA	POMPE	PUMP	PUMPE	BOMBA
16	TR2369	1	RIDUZIONE 1" - 1/2"	REDUCTION	REDUCTION	VERMINDERUNG	TUBO CINC
17	TR2329	1	BOCCHETTONE CURVO ½"	GOULOTTE	PIPE UNION	STUTZEN	RAMPA DE DESAGÜE CURVO
18	TR0371	1	RIDUTTORE DI PRESSIONE	REDUCTEUR	PRESSURE REDUCER	DRUCKMINDERER	REDUCTOR DE PRECIÓN
19	TR0244	1	MANOMETRO	MANOMETRE REDUCTEUR	PRESSURE GANGE	DRUCK MESSER	MANÓMETRO
20	TR2347	2	NIPPLO RIDOTTO	NIPPLES	NIPPLE	NIPPLE	NIPLE REDUCCIÓN
21	TR0090	1	ELETTRIVALVOLA	SOUPAPE ELECTRIQUE	ELECTRIC VALVE	ELEKTROVENTIL	VALVULA ELETTRICA
22	TR2421	1	GOMITO 3/4"	RACCORD	PIPE FITTING	ANSCHLUSSE	EMPALME CODO
23	907940	1	PORTAGOMMA 3/4" PAP	RACCORD	HOSE BARB	ANSCHLUSS	GOME PARA PUERTA
24	TR3651	2	TRAVERSA POMPA RISCIAQUO	TRAVERSE POMPE DE RINÇAGE	RINSE PUMP BAR	SPÜLEN-PUMPE TRÄGER	BARRA BOMBA DE ENJUAGUE
25	902490	4	FASCETTA Ø 58÷75	COLLIER	CLAMP	SHELLE	ABRAZADERA
26	903701	1	MANICOTTO ASPIRAZIONE	MANCHON D'ASPIRATION	INLET MUFF	ANSAUGMUFFE	PALANCA DE ASPIRACIÓN
27	TR0083	1	POMPA 3,6 KW	POMPE	PUMP	PUMPE	BOMBA
28	905015	4	AMMORTIZZATORI	AMORTISSEURS	SHOCK ABSORBERS	STOSSDÄMPFER	AMORTIGUADORES
29	TR3641	1	SUPPORTO POMPA	SUPPORT POMPE	PUMP SUPPORT	PUMPE TRÄGER	SOPORTE BOMBA
30	TR0710	1	MANICOTTO MANDATA	MANCHON DE REFAULEM.	OUTLET ELBOW	AUSLAMUFFE	PALANCA DE MANDO
31	TR3633	1	COLONNA LAVAGGIO	COLONNE DE LAVAGE	WASHING PIPE	SPÜLUNG SAÜLE	COLUMNA LAVADO
32	903381	2	GUARNIZIONE	JOINT	GASKET	DICHTUNG	GUARNICIÓN
33	902460	8	FASCETTA Ø 26÷38	COLLIER	CLAMP	SHELLE	ABRAZADERA



Pos.	COD.	Q.tà	DESCRIZIONE	DENOMINATION	DESCRIPTION	BEZEICHNUNG	DESCRIPCIÓN
34	903851	2	MANICOTTO	MANCHON	SLEEVE	MUFFE	PALANCA
35	950020	2	TUBO INOX Ø28x1	TUYAU INOX	INOX PIPE	SCHLAUCH INOX	TUBO INOX
36	TR3647	2	SUPP. BRACCIO LAVAGGIO LATER.	SUPP. BRAS DE LAVAGE LATERAL	LATERAL WASHING PIPE SUPPORT	SPÜLUNGSÄULE TRÄGER	SOP. BRAZO LAVADO LATERAL
37	TR3571	2	GUARNIZIONE	JOINT	GASKET	DICHTUNG	GUARNICIÓN
38	TR2090	2	FLANGIA	FLASQUE	FLANGE	FLANSCH	BRIDA
39	TR2091	2	CONTROFLANGIA	CONTRE-BRIDE	FLANGE COUPLING	GEGENFLANSCH	CONTROBRIDA
40	TR3513	2	BRACCIO LAVAGGIO LATERALE	BRAS DE LAVAGE LATERAL	LATERAL WASHING PIPE	SPÜLUNGSÄULE	BRAZO LAVADO LATERAL
41	903404	2	GUARNIZIONE	JOINT	GASKET	DICHTUNG	GUARNICIÓN
42	TR3230	2	TAPPO	BOUCHON	PLUG	PROPFEN	TAPÓN
43	TR2433	1	VALVOLA ANTIRIFLUSSO	VALVE	VALVE	VENTIL	VALVULA



PLATON SERVICE  
 8 (800) 500-34-41  
 www.platonservice.com

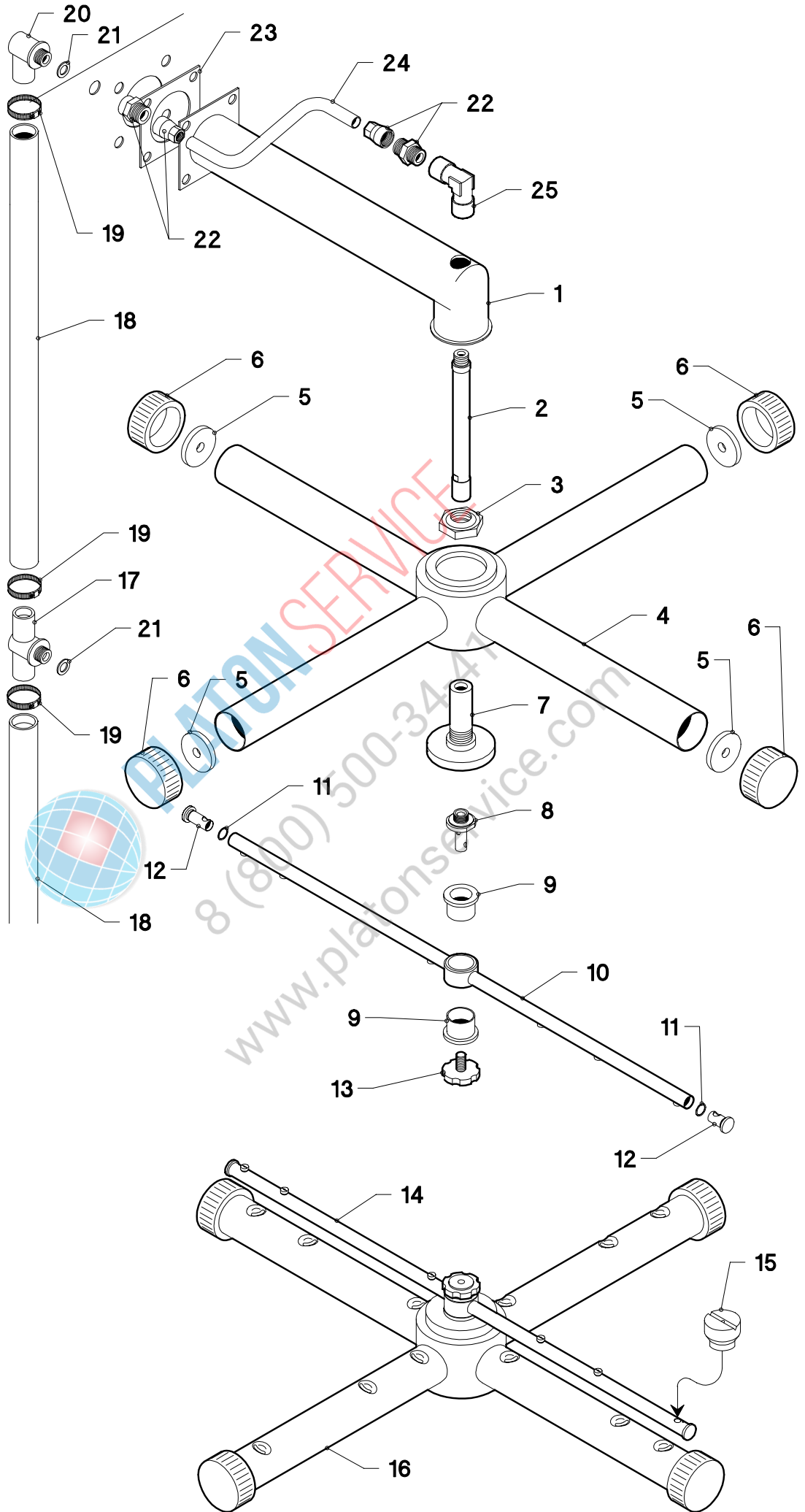




Pos.	COD.	Q.tà	DESCRIZIONE	DENOMINATION	DESCRIPTION	BEZEICHNUNG	DESCRIPCIÓN
1	TR0948	1	PARASPRUZZI	GARDE-JETS	SPRAY-GUARD	SPRITZSCHUTZ	SALPICADERO
2	TR3634	2	GUIDA PORTACESTELLO	COULISSE PANIER	BASKET GUIDE	KORBÜFUHRUNG	GUIA CESTO
3	955784	2	SUPPORTO GUIDA CESTELLO	SUPPORT PANIER	BASKET SUPPORT	KORBÜFUHRUNG TRÄGER	SOPORTE GUIA CESTO
4	906704	1	FILTRO A CASSETTO	TIROIR FILTRE	DRAWER FILTER	FACH-FILTER	FILTRO A CAJÓN
5	906703	1	FILTRO VASCA	FILTRE BASSIN	TANK FILTER	FILTER WANNE	FILTRO BATEA
6	906453	1	TAPPO	BOUCHON	PLUG	PROPFEN	TAPÓN
7	TR0995	1	MICRO PORTA	MICRO PORTE	MICRO SWITCH	MICROSCHALTER	MICRO PUERTA
8	904330	1	O-RING	O-RING	O-RING	O-RING	O-RING
9	902100	1	DADO 3/8"	ECROU	NUT	MUTTER	TUERCA
10	TR0309	1	REED MAGNETICO	REED	REED	REED	REED MAGNÉTICO
11	TR0935	1	TRAPPOLA ARIA	RESERVOIR AIR	AIR TRAP	LUFTFALLE	TRAMPA DEL AIRE
12	903260	1	GUARNIZIONE	JOINT	GASKET	DICHTUNG	GUARNICIÓN
13	906399	1	SQUADRETTA PRESSOSTATO	EQUERRE PRESSOSTAT	PRESSURE SWITCH BRACKET	WINKEL DRUCHWAECHTER	ANGULAR PRESÓSTATO
14	905276	1	PRESSOSTATO 30 - 160	PRESSOSTAT	PRESSURE SWITCH	DRUCHWAECHTE	PRESOSTATO
15	907271	1	TUBO PRESSOSTATO	TUYAU PRESSOSTAT	PRESSURE SWITCH PIPE	SCHLAUCH	TUBO PRESÓSTATO
16	902061	1	GHIERA 1/2"	VIROLE	LOCK NUT	NUT MUTTER	ABRAZADERA
17	903250	1	GUARNIZIONE 1/2"	JOINT	GASKET	DICHTUNG	GUARNICIÓN
18	TR0298	1	PORTABULBO	SIEGE DE BULBE	SEATING BULB	KUGEL SITZ	PORTABULBO
19	TR0340	1	RESISTENZA 6KW	RESISTANCE	HEATING ELEMENT	HEIZKÖRPER	RESISTENCIA
20	TR1037	1	COPRIRESISTENZA	PROTECTION RESISTANCE	HEATING COVER	HEIZKÖRPER SCHUTZ	CUBRE RESISTENCIA
21	907125	1	TERMOSTATO DI SICUREZZA	THERMOSTAT	THERMOSTAT	THERMOSTAT	TERMÓSTATO DE SEGURIDAD
22	TR0440	2	TERMOSTATO 0°-90°	THERMOSTAT	THERMOSTAT	THERMOSTAT	TERMÓSTATO
23	TR3371	1	SQUADRETTA TERMOSTATI	EQUERRE THERMOSTAT	THERMOSTAT BRACKET	WINKEL THERMOSTAT	ANGULAR TERMÓSTATO
24	903982	2	MANOPOLA	BOUTON	KNOB	KNOPF	EMPUÑADURA
25	TR0944	1	CESTELLO	PANIER	BASKET	KORB	CESTO
26	TR0984	6	RUOTA CESTELLO	ROUE POUR PANIER	BASKET WHEEL	RÄDCHEN	RUEDA CESTO
27	TR0926	1	PORTATEGLIE	ÉGUTTOIR	PLATE RACK	BRETT	PORTA TORTERA

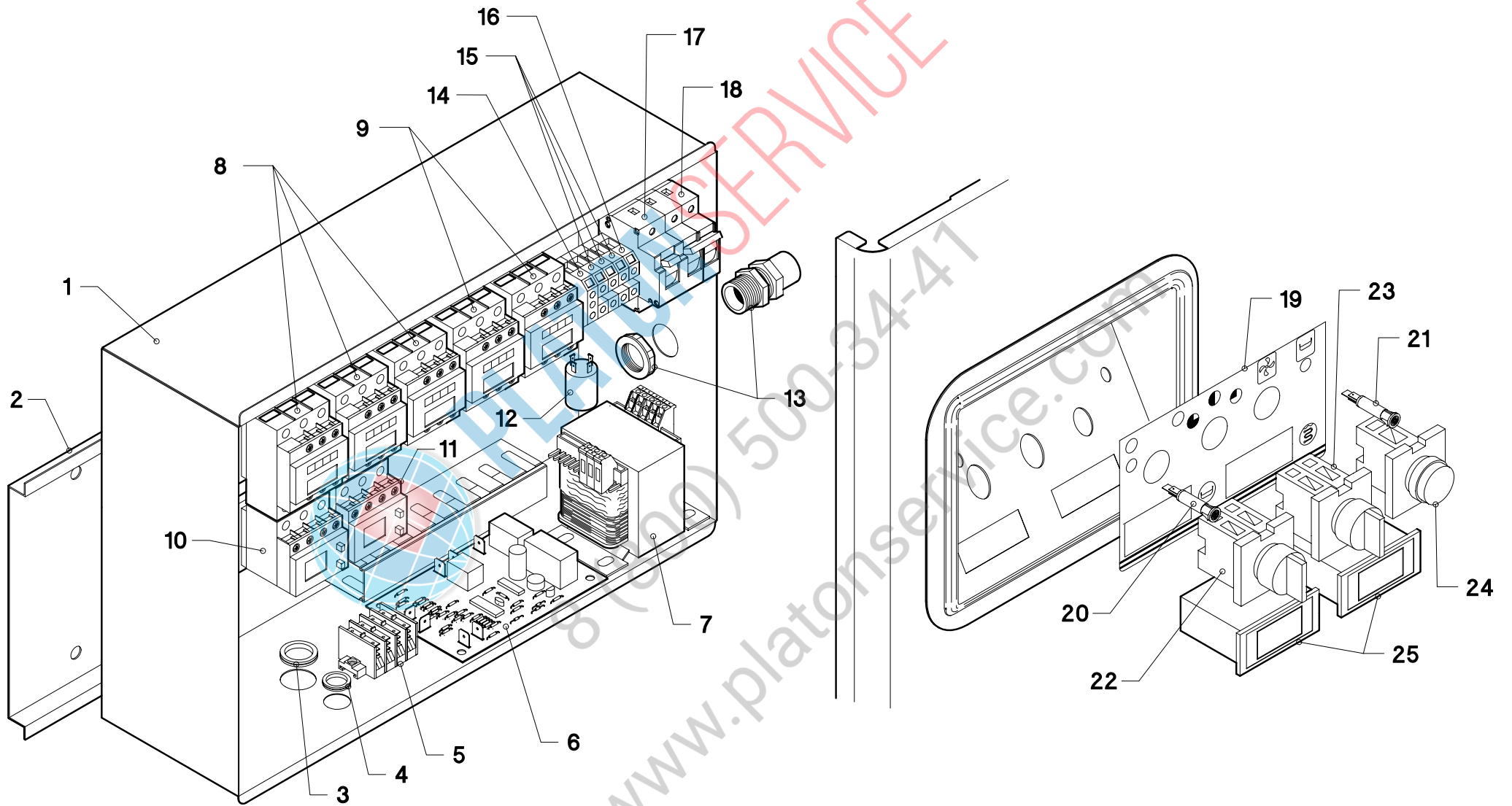
TAV. 4

ED. 05/2006

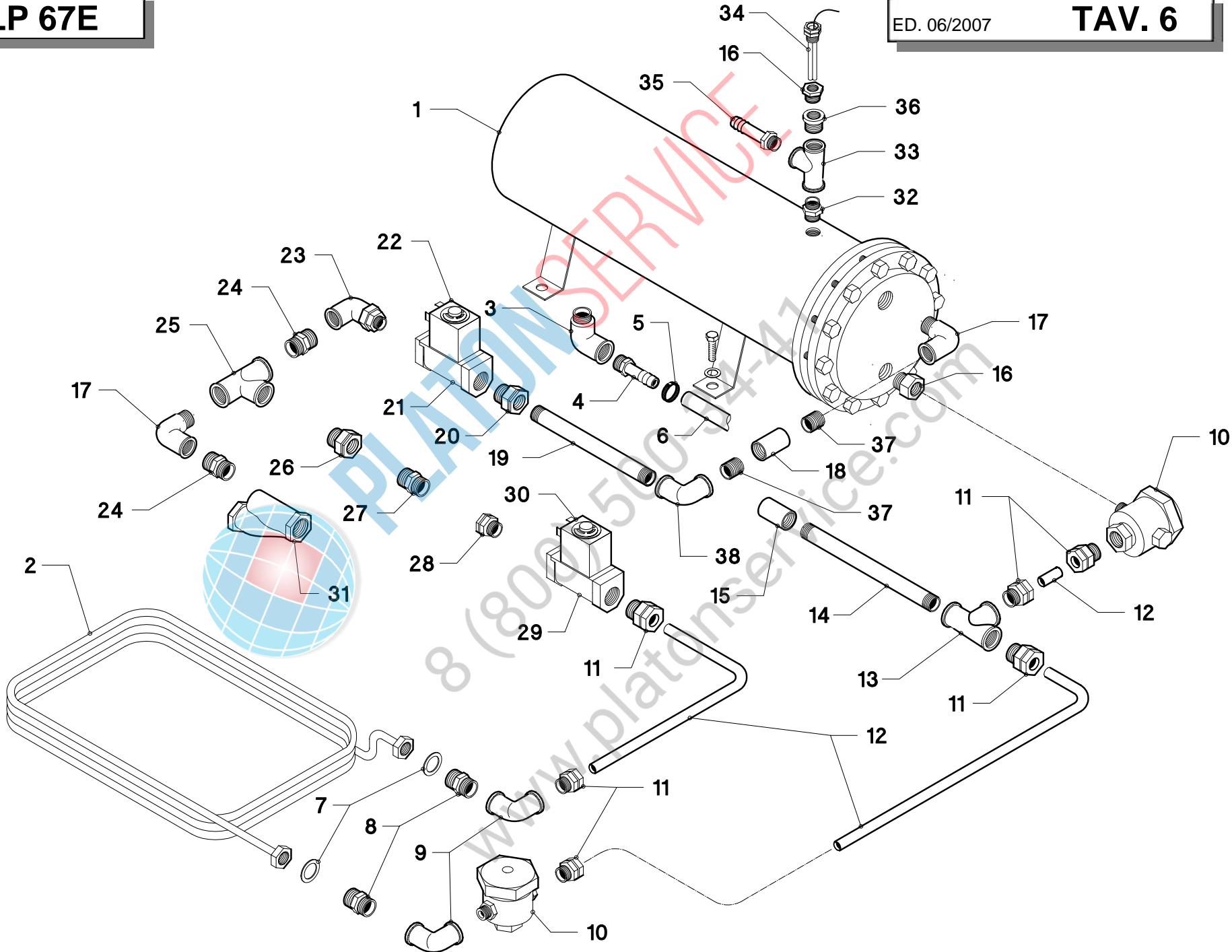


LP 67E

Pos.	COD.	Q.tà	DESCRIZIONE	DENOMINATION	DESCRIPTION	BEZEICHNUNG	DESCRIPCIÓN
1	908732	1	BRACCIO LAVAGGIO	BRAS DE LAVAGE	WASHING ARM	WASCHLAUFRAD	BRAZO LAVADO
2	908735	1	PERNO GIRANTE RISCIAQUO	TOURILLON DE RINÇAGE	RINSE PIN	SPÜLLSTIFT	PERNO ENJUAGUE
3	902890	1	GHIERA BLOCCAGGIO	FRETTE DE BLOCAGE	RING-NUT	KLEMMUTTER	ABRAZADERA BLOQUEO
4	TR0993	1	GIRANTE LAVAGGIO	BRAS DE LAVAGE	WASH ARM	SPÜLLARM	RODETE LAVADO
5	TR2051	4	GUARNIZIONE	JOINT	GASKET	DICHTUNG	GUARNICIÓN
6	TR3230	4	TAPPO PER BRACCIO LAVAGGIO	BOUCHON BRAS DE LAVAGE	PLUG FOR WASH ARM	VERSCHLUSS SPÜLLARM	TAPÓN PARA BRAZO LAVADO
7	904281	1	MOZZO GIRANTE LAVAGGIO	MOYEU	HUB	NABE	BUJE RODETE LAVADO
8	904762	1	PERNO RISCIAQUO	TOURILLON DE RINÇAGE	RINSE PIN	SPÜLLSTIFT	PERNO ENJUAGUE
9	900530	2	BUSSOLA	DOUILLE	BUSH	BUCHSE	BRÚJULA
10	TR0893	1	GIRANTE RISCIAQUO	BRAS DE RINÇAGE	RINSE ARM	SPÜLLSTIFT	RODETE ENJUAGUE
11	904321	2	O-RING	O-RING	O-RING	O-RING	O-RING
12	906450	2	TAPPO	BOUCHON	PLUG	PROPfen	TAPÓN
13	902892	1	GHIERA BLOCCAGGIO	FRETTE DE BLOCAGE	RING-NUT	KLEMMUTTER	ABRAZADERA BLOQUEO
14	TR0960	1	GIRANTE RISCIAQUO COMP.	BRAS DE RINÇAGE COMPL.	COMPL. RINSE ARM	SPÜLLSTIFT KOMPL.	RODETE ENJUAGUE COMP.
15	TR0003	6	GETTO RISCIAQUO	JET DE RINÇAGE	RINSING JET	SPÜLLDUSE	CHORRO ENJUAGUE
16	TR0996	1	GIRANTE LAVAGGIO COMP.	BRAS DE LAVAGE COMPL.	COMPL. WASH ARM	SPÜLLARM KOMPL.	RODETE LAVADO COMPL.
17	905407	1	RACCORDO	RACCORD	PIPE FITTING	ANSCHLUSSE	EMPALME
18	907350	2	TUBO GOMMA 12x22	TUYAU EN CAOUTCHOUC	RUBBER HOSE	GUMMISCHLAUCH	TUBO GOMA
19	902450	3	FASCETTA Ø 12÷24	COLLIER	CLAMP	SHELLE	ABRAZADERA
20	907933	1	RACCORDO RISCIAQUO	RACCORD DE RINÇAGE	RINSE PIPE FITTING	ANSCHLUSSE	EMPALME ENJUAGUE
21	904330	2	O-RING	O-RING	O-RING	O-RING	O-RING
22	908121	2	RACCORDO CON OGIVA	RACCORD	PIPE FITTING	ANSCHLUSSE	EMPALME
23	903381	1	GUARNIZIONE	JOINT	GASKET	DICHTUNG	GUARNICIÓN
24	908888	1	TUBO Ø10x8 FORAFLON	TUYAU	PIPE	SCHLAUCH	TUBO
25	908120	1	RACCORDO A GOMITO	RACCORD	PIPE FITTING	ANSCHLUSS	EMPALME A CODO



Pos.	COD.	Q.tà	DESCRIZIONE	DENOMINATION	DESCRIPTION	BEZEICHNUNG	DESCRIPCIÓN
1	TR3644	1	CASSETTA ELETTRICA	BOITE ELECTRIQUE	CABINET	SCHALTKASTEN	CAJA ELÉCTRICA
2	TR3372	1	GUIDA PER CASSETTA ELETTRICA	RAIL POUR BOITE ELECTRIQUE	CABINET TRACK	FÜHRUNG SCHALTKASTEN	GUIA CAJA ELÉCTRICA
3	904721	1	PASSACAVO	CHAUMARD	FAIRLEAD	KABELDURCHGANG	AISLADOR
4	904720	1	PASSACAVO	CHAUMARD	FAIRLEAD	KABELDURCHGANG	AISLADOR
5	955068	1	MORSETTO PA80	BORNE	TERMINAL	KLEMMLEISTE	GRAMPA
6	907176	1	TIMER ELETTRONICO	TIMER ÉLECTRONIQUE	ELECTRONIC TYMER	ELEKTRONISCHER TIMER	TYMER ELECTRÓNICO
7	TR0410	1	TRASFORMATORE 160 V/A	TRANSFORMATEUR	TRANSFORMER	TRANSFORMATOR	TRASFORMADOR
8	907041	3	TELERUTTORE 9A	TELERUPTEUR	CONTACTOR	SCHUTZ	TELERRUPTOR
9	TR0373	2	TELERUTTORE 18A	TELERUPTEUR	CONTACTOR	SCHUTZ	TELERRUPTOR
10	TR0396	1	TERMICA 5-5/8	TERMIQUE	OVERLOAD RELAY	THERMOAUSLOSER	TERMICA
11	TR0386	1	TERMICA 1-1,6	TERMIQUE	OVERLOAD RELAY	THERMOAUSLOSER	TERMICA
12	902107	1	FILTRI ANTIDISTURBO	FILTRE ANTIDERANGEMENT	NOISE FILTER	ENTSTORFILTER	FILTROS DE RUIDOSIDAD
13	TR0139	1	PRESSACAVO PG. 21	FIXAGE DU CABLE D'ALIM.	FIXING CABLE	KABELBEFESTIGER	PRESACAVO
14	908969	1	MORSETTO 1P	BORNE	TERMINAL	KLEMMLEISTE	GRAMPA
15	904166	3	MORSETTO 1P	BORNE	TERMINAL	KLEMMLEISTE	GRAMPA
16	904163	1	MORSETTO TERRA	BORNE	TERMINAL	KLEMMLEISTE	GRAMPA
17	TR0222	1	INTERRUTTORE BIPOLARE 4A	INTERRUPTEUR 4A	SWITCH	DRUKKNOPF	INTERRUPTOR
18	TR0219	1	INTERRUTTORE UNIPOLARE 10A	INTERRUPTEUR 10A	SWITCH	DRUKKNOPF	INTERRUPTOR
19	906514	1	TARGA	PLAQUETTE	PLATE	SCHILD	PLACA
20	903631	1	LAMPADA SPIA ARANCIO	LAMPE	LAMP	KONTROLLAMPE	LÁMPARA
21	903634	1	LAMPADA SPIA VERDE	LAMPE	LAMP	KONTROLLAMPE	LÁMPARA
22	TR0310	1	SELETTORE 0 - 1	SELECTEUR 0 - 1	SELECTOR 0 - 1	WAHLSCHALTER	SELECCIONADOR
23	TR0850	1	SELETTORE 0 - 1 - 2	SELECTEUR 0 - 1 - 2	SELECTOR 0 - 1 - 2	WAHLSCHALTER	SELECCIONADOR
24	TR0284	1	PULSANTE LUMINOSO VERDE	BOUTON VERTE	GREEN PUSH BUTTON	GRUNE DRUCKTASTE	INTERRUPTOR LUZ VERDE
25	TR0402	2	TERMOMETRO DIGITALE	THERMOMETRE DIGITAL	DIGITAL THERMOMETER	DIGITAL THERMOMETER	TERMÓMETRO DIGITAL



Pos.	COD.	Q.tà	DESCRIZIONE	DENOMINATION	DESCRIPTION	BEZEICHNUNG	DESCRIPCIÓN
1	TR0638	1	BOILER 18.000 CAL.	CHAUFFE EAU	BOILER	HEISSWASSERSPEICHER	BOILER
2	TR3603	1	SERPENTINA 6.000 CAL.	SERPENTIN VAPEUR	STEAM COIL	DAMPFSCHANG	SERPENTINA
3	TR2420	1	RACCORDO GOMITO ½"	RACCORD	PIPE FITTING	ANSCHLUSSE	RAMPA DE DESAGÜE CURVO
4	TR2375	1	RACCORDO PORTAGOMMA ½"	RACCORD	PIPE FITTING	ANSCHLUSSE	EMPALME GOME
5	902450	1	FASCETTA Ø 15÷24	COLLIER	CLAMP	SHELLE	ABRAZADERA
6	907350	1	TUBO GOMMA Ø 12x22	TUYAN EN CAOUTCHOUC	RUBBER HOSE	GUMMISCHLAUSCH	TIUBO GOMA
7	904992	2	GUARNIZIONE	JOINT	GASKET	DICHTUNG	GUARNICIÓN
8	TR2319	2	NIPPLO ½"	NIPPLES	NIPPLE	NIPPLE	NIPLE
9	TR2437	2	RACCORDO GOMITO ½"	RACCORD	PIPE FITTING	ANSCHLUSSE	EMPALME CODO
10	TR0316	2	SCARICATORE CONDENSE	DECHARGEUR CONDENSE	STEAM TRAP	KONDENSWASSER ABSCHIEDER	DESCARGA CONDENSACIÓN
11	TR2223	6	RACCORDO ½"	RACCORD	PIPE FITTING	ABLAUFANSCHLUSS	EMPALME
12	952205	3	TUBO RAME Ø18	TUBE EN CUIVRE	COPPER PIPE	KUPFER ROHR	TUBO DE COBRE
13	TR2402	1	RACCORDO 3 VIE ½"	RACCORD	PIPE FITTING	ANSCHLUSSE	EMPALME 3 DIRECCIONES
14	952209	1	TUBO ZINCATO ½" - ½"	TUYAU	PIPE	ROHR	TUBO CINC
15	TR2301	1	MANICOTTO ½"	MANCHON	SLEEVE	MUFFE	PALANCA
16	TR2366	2	RIDUZIONE ¾" - ½"	REDUCTION	REDUCTION	VERMINDERUNG	REDUCCIÓN
17	TR2422	2	RACCORDO GOMITO 1"	RACCORD	PIPE FITTING	ANSCHLUSSE	RAMPA DE DESAGÜE CURVO
18	TR2310	1	MANICOTTO 1"	MANCHON	SLEEVE	MUFFE	PALANCA
19	952211	1	TUBO ZINCATO 1" - 1"	TUYAU	PIPE	ROHR	TUBO CINC
20	TR2300	1	RACCORDO 1"	RACCORD	PIPE FITTING	ABLAUFANSCHLUSS	EMPALME
21	TR0094	1	ELETTROVALVOLA 1"	ELECTROVANNE	ELECTRIC VALVE	ELEKTROVENTIL	VALVULA ELECTRICA
22	TR0104	1	BOBINA 24V	BOBINE	COIL	SPULE	BOBINA
23	TR2330	1	BOCCHETTONE CURVO 1"	GOULOTTE	PIPE UNION	STUTZEN	RAMPA DE DESAGÜE CURVO
24	TR2312	2	NIPPLO 1"	NIPPLES	NIPPLE	NIPPLE	NIPLE
25	TR2401	1	RACCORDO 3 VIE 1"	RACCORD	PIPE FITTING	ANSCHLUSSE	EMPALME 3 DIRECCIONES
26	TR2367	1	RIDUZIONE 1" - ¾"	REDUCTION	REDUCTION	VERMINDERUNG	REDUCCIÓN
27	TR2347	1	NIPPLO RIDOTTO ¾" - ½"	NIPPLES	NIPPLE	NIPPLE	NIPLE REDUCCIÓN
28	TR2335	1	BOCCHETTONE DIRITTO ½"	GOULOTTE	PIPE UNION	STUTZEN	RAMPA DE DESAGÜE RECTO
29	TR0092	1	ELETTROVALVOLA ½"	ELECTROVANNE	ELECTRIC VALVE	ELEKTROVENTIL	VALVULA ELECTRICA
30	TR0103	1	BOBINA 24V	BOBINE	COIL	SPULE	BOBINA
31	TR0121	1	FILTRO 1"	FILTRE	FILTER	FILTER	FILTRO
32	TR2316	1	NIPPLO ¾"	NIPPLES	NIPPLE	NIPPLE	NIPLE
33	TR2400	1	RACCORDO 3 VIE ¾"	RACCORD	PIPE FITTING	ANSCHLUSSE	EMPALME 3 DIRECCIONES
34	TR0298	1	PORTABULBO	SIÈGE DE BULBE	SEATING BULB	KUGELSITZ	PORTABULBO
35	907890	1	RACCORDO PORTAGOMMA ¾"	RACCORD	PIPE FITTING	ANSCHLUSSE	EMPALME GOME
36	TR2445	1	PROLUNGA ¾"	PROLUNGEMENT	EXTENSION CORD	LEITUNGSTRECKER	PROLONGACIÓN
37	TR2438	2	RACCORDO TUTTO FILETTO 1"	RACCORD	PIPE FITTING	ANSCHLUSSE	RAMPA DE DESAGÜE CURVO
38	TR2438	1	RACCORDO GOMITO 1"	RACCORD	PIPE FITTING	ANSCHLUSSE	RAMPA DE DESAGÜE CURVO